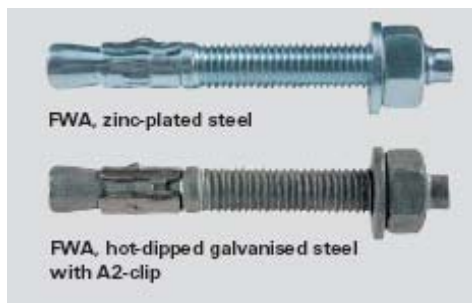


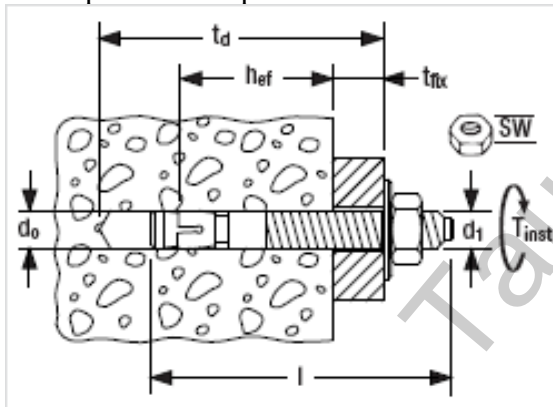
ТЕХНИЧЕСКА ХАРАКТЕРИСТИКА

АНКЕР – FWA – сегментен, с удължена резба, с гайка, поцинкован, за леки закрепвания



Характеристики: Подходящи за използване за : не ронлив бетон $\geq C20/25$, натурален камък с плътна структура
В две версии – поцинкована стомана и галванизирана стомана: поцинкованата версия е за употреба в закрити, вътрешни пространства,
а галванизираната за временно външно използване.

Размери – виж стр. 2



Type	Art. No.	Thread	Nominal drill-Ø	Max. fixing thickness	Min. fixing thickness	Min. anchorage depth	Max. anchorage depth	Min. drill depth at push-through mode	Total length	Width across flat	Installation torque	Qty. per box
		d ₁ M [mm]	d ₀ [mm]	t _{fix} ≤ [mm]	t _{fix} ≤ [mm]	h _{ef} ≥ [mm]	h _{ef} ≥ [mm]	t _d ≥ [mm]	l [mm]	SW [mm]	T _{inst} [Nm]	[pcs.]
Zinc-plated steel												
FWA 6 x 40	45536	6	6	3	-	25	-	40	40	10	7.5	100
FWA 6 x 55	45582	6	6	15	5	25	35	55	55	10	7.5	100
FWA 6 x 70	45598	6	6	30	20	25	35	70	70	10	7.5	100
FWA 6 x 120	502920	6	6	80	60	25	35	120	120	10	7.5	50
FWA 8 x 50	45644	8	8	5	-	25	-	50	50	13	15	50
FWA 8 x 60	502893	8	8	15	-	25	-	60	60	13	15	50
FWA 8 x 65	45788	8	8	20	5	25	40	65	65	13	15	50
FWA 8 x 80	45789	8	8	35	20	25	40	80	80	13	15	50
FWA 8 x 95	45790	8	8	50	35	25	40	95	95	13	15	50
FWA 8 x 120	45791	8	8	75	60	25	40	120	120	13	15	50
FWA 10 x 60	502894	10	10	5	-	30	-	60	60	17	30	50
FWA 10 x 65	45645	10	10	10	-	30	-	65	65	17	30	50
FWA 10 x 80	45792	10	10	25	5	30	50	80	80	17	30	50
FWA 10 x 95	45793	10	10	40	20	30	50	95	95	17	30	50
FWA 10 x 115	45794	10	10	60	40	30	50	115	115	17	30	25
FWA 10 x 130	45646	10	10	75	55	30	50	130	130	17	30	25
FWA 10 x 140	503367	10	10	85	65	30	50	140	140	17	30	25
FWA 10 x 160	503368	10	10	105	85	30	50	160	160	17	30	25
FWA 10 x 180	503369	10	10	115	105	30	50	180	180	17	30	25
FWA 10 x 200	503370	10	10	135	115	30	50	200	200	17	30	25

Type	Art. No.	Thread	Nominal drill-Ø	Max. fixing thickness	Min. fixing thickness	Min. anchor-age depth	Max. anchor-age depth	Min. drill depth at push-through mode	Total length	Width across flat	Installation torque	Qty. per box
		d ₁ M [mm]	d ₀ [mm]	t _{fix} ≤ [mm]	t _{fix} ≤ [mm]	h _{ef} ≥ [mm]	h _{ef} ≥ [mm]	t _d ≥ [mm]	l [mm]	SW [mm]	T _{inst} [Nm]	[pcs.]
FWA 12 x 80	45647	12	12	10	-	40	-	80	80	19	50	25
FWA 12 x 100	45648	12	12	30	10	40	60	100	100	19	50	25
FWA 12 x 120	45795	12	12	50	30	40	60	120	120	19	50	25
FWA 12 x 150	45796	12	12	80	60	40	60	150	150	19	50	25
FWA 12 x 160	503371	12	12	90	70	40	60	160	160	19	50	25
FWA 12 x 180	503372	12	12	110	90	40	60	180	180	19	50	25
FWA 12 x 200	503373	12	12	130	110	40	60	200	200	19	50	25
FWA 12 x 220	503374	12	12	150	130	40	60	220	220	19	50	25
FWA 12 x 240	503377	12	12	170	150	40	60	240	240	19	50	25
FWA 16 x 105	45649	16	16	15	-	50	-	95	105	24	100	20
FWA 16 x 125	502921	16	16	35	5	50	80	115	125	24	100	20
FWA 16 x 140	45798	16	16	50	20	50	80	130	140	24	100	10
FWA 16 x 180	45799	16	16	90	60	50	80	170	180	24	100	10
FWA 16 x 200	503379	16	16	110	80	50	80	190	200	24	100	10
FWA 16 x 240	503380	16	16	150	120	50	80	230	240	24	100	10
FWA 16 x 300	503381	16	16	190	160	50	80	290	300	24	100	10
FWA 20 x 160	45800	20	20	40	20	80	100	150	160	30	200	10
FWA 20 x 200	503382	20	20	80	60	80	100	190	200	30	200	10
FWA 20 x 220	56133	20	20	100	80	80	100	210	220	30	200	10
FWA 20 x 240	503383	20	20	120	100	80	100	230	240	30	200	10
FWA 20 x 300	503387	20	20	160	140	80	100	290	300	30	200	10
FWA 24 x 200	503388	24	24	50	25	100	125	190	200	36	260	10
FWA 24 x 250	503389	24	24	100	75	100	125	240	250	36	260	10
FWA 24 x 300	503390	24	24	150	125	100	125	290	300	36	260	10